



MICRO SWITCH

FREEDPORT, ILLINOIS, U.S.A.
A DIVISION OF HONEYWELL

FED. MFG. CODE 91829

SWITCH - BASIC

CATALOG LISTING

BZ-2R5551-A2

BZ-2R5551-A2

PAGE 1 OF 1

M

DRAWING NUMBER

ISSUE 10

REPLACES

RELEASE NO. PR-1008

CHECK

REVISIONS

A	CO17410	8 C H	25 AUG 63
B	CO19115	LLD	13 APR 64
C	CO20290	L R W	18 JUN 69
D	PR-1008	8 C H	10 DEC 69
E	CO67209	J A P	3 MAY 90
F	CO-73287-B	D H D	17 MAY 93
G	CO-77589	K D R	29 MAR 94
H	CO93346	D L T	4 SEP 98

CHECK

CHECK

CHECK

CHECK

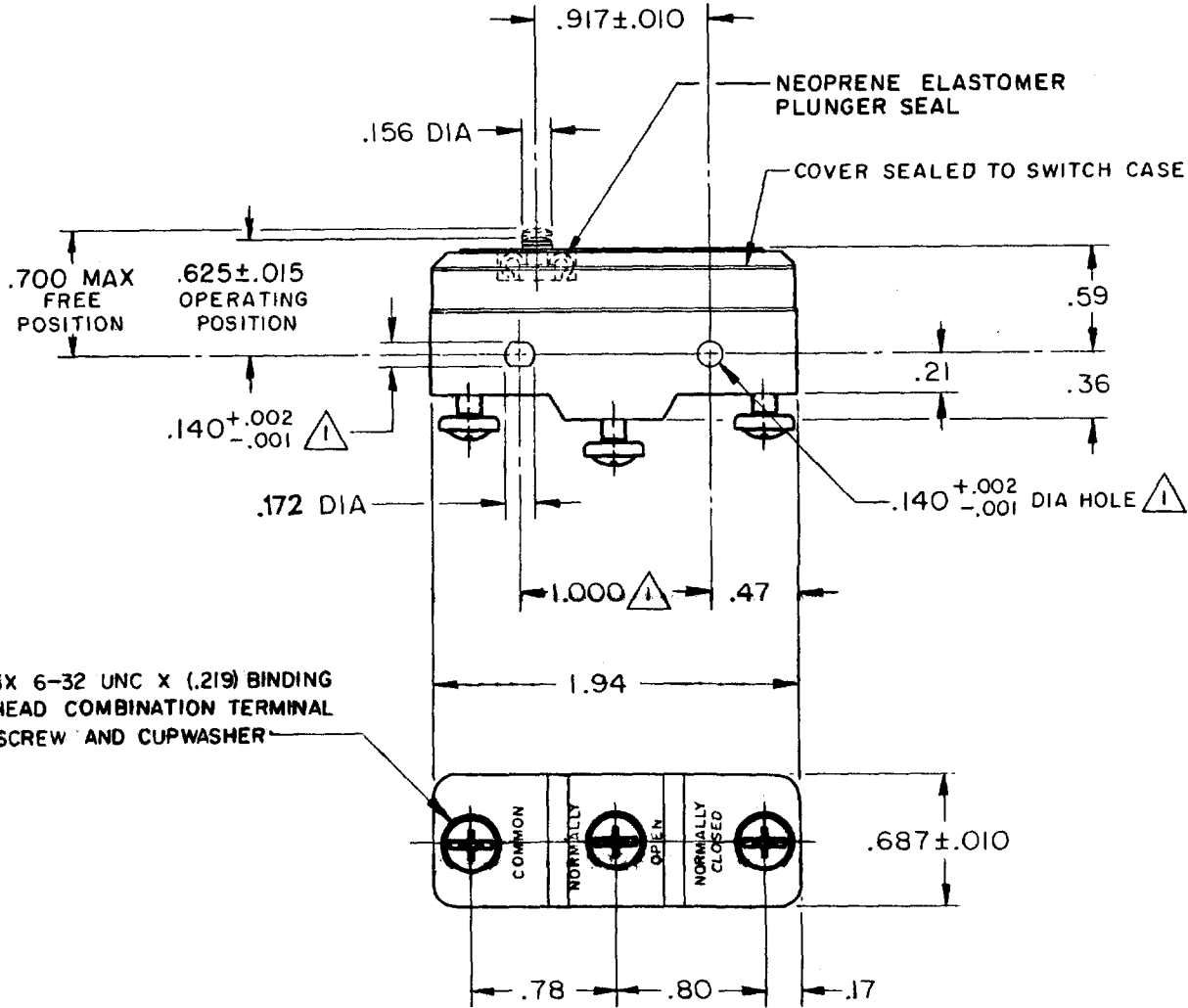
CHECK

CHECK

CHECK

CHECK

CHECK



NOTES

- △ MOUNTING HOLES WILL ACCEPT PINS OR SCREWS OF .139 MAX DIA ON 1.000 ± .002 CENTERS
- 2 - SEALED CONSTRUCTION PROVIDES SPLASH RESISTANCE

THIS DRAWING COVERS A PROPRIETARY ITEM AND IS THE PROPERTY OF MICRO SWITCH, A DIVISION OF MINNEAPOLIS-HONEYWELL REGULATOR CO. THIS DRAWING IS NOT TO BE COPIED OR USED WITHOUT THE APPROVAL OF MICRO SWITCH.

CHARACTERISTICS	ELECTRICAL DATA	SCALE FULL
OPERATING FORCE ----- 8 - 15 OZ	CONTACT ARRANGEMENT S P D T	DO NOT SCALE PRINT
RELEASE FORCE ----- 4 OZ MIN	L96 15A 125, 250 OR 480 VAC 1/8 HP 125 VAC, 1/4 HP 250 VAC 1/2A 125 VDC, 1/4A 250 VDC	UNLESS OTHERWISE NOTED DIMENSIONS ARE IN INCHES TOLERANCES ARE: ONE PLACE (.0) ± .030 TWO PLACE (.00) ± .015 THREE PLACE (.000) ± .005 ANGLES ±
DIFFERENTIAL TRAVEL ----- .0004 - .0025	L288 L299 L306	WEIGHT .066 LB
OVERTRAVEL ----- .005 MIN	CE Ⓟ RJ Ⓟ 16A 250V ~ T85 5E4	

FORMTEK
FO-50376

DRAWN

G C H 26 AUG 62